

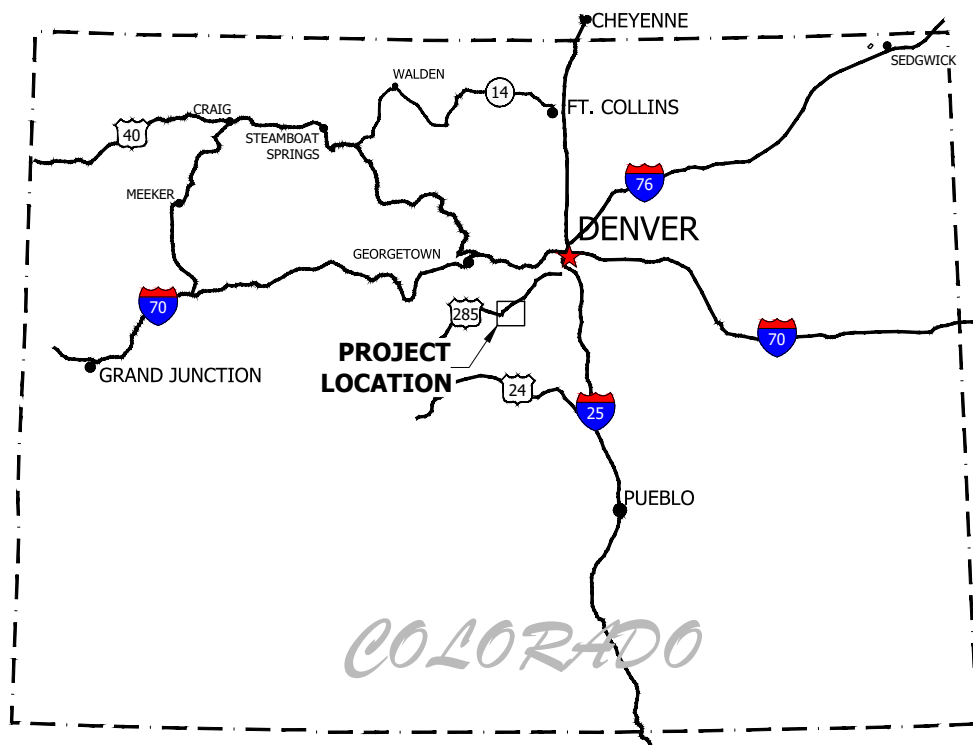
# REHABILITATION DESIGN KZ RANCH POND

WATER DIVISION 1, WATER DISTRICT 80  
SECTION 26, T6S, R73W, 6TH P.M.  
PARK COUNTY, COLORADO

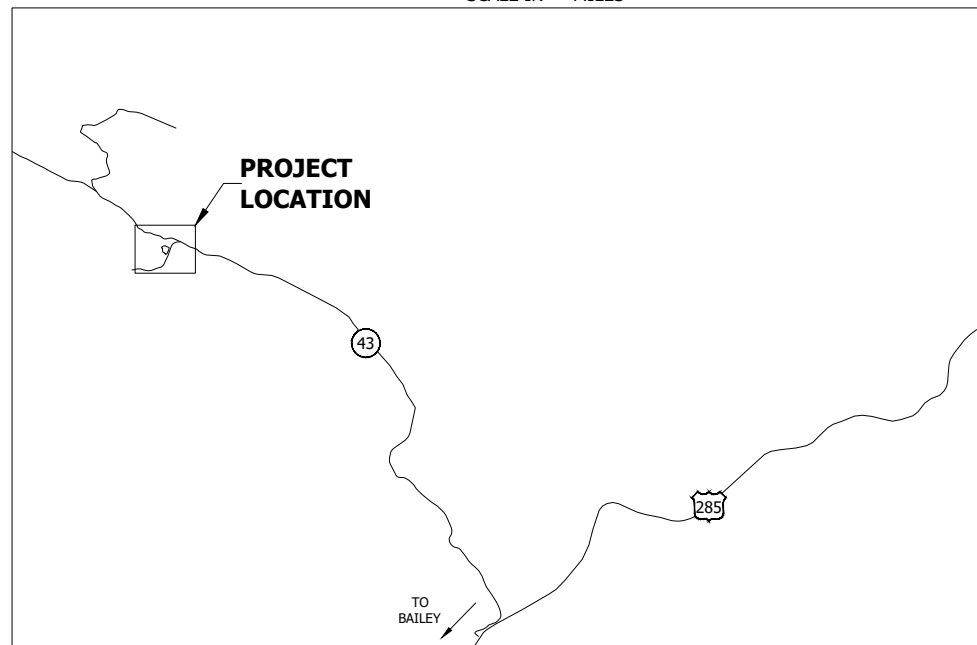
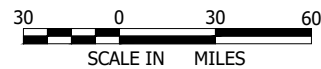
CONSTRUCTION FILE: NONE  
DAMID: 800141

PREPARED FOR:  
FIRE ADAPTED BAILEY

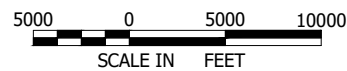
PREPARED BY:  
W. W. WHEELER AND ASSOCIATES, INC.



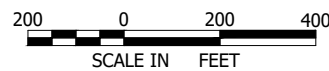
STATE MAP



PROJECT VICINITY MAP



PROJECT LOCATION MAP



I HEREBY DECLARE THESE PLANS FOR THE CONSTRUCTION OF THE KZ RANCH POND REHABILITATION DESIGN WERE PREPARED UNDER MY DIRECT SUPERVISION.

JOHN THOMAS COX, P.E.  
COLORADO P.E. NO. 62192



THESE PLANS REPRESENT THE AS-CONSTRUCTED CONDITIONS OF THE KZ RANCH POND REHABILITATION DESIGN TO THE BEST OF OUR KNOWLEDGE AND JUDGMENT, BASED IN PART ON INFORMATION FURNISHED BY OTHERS AS OF THE \_\_\_\_ DAY OF \_\_\_\_\_, 20\_\_.

JOHN THOMAS COX, P.E.  
COLORADO P.E. NO. 62192

R:\19001923\_Fire\_Adapted\_Bailey\1923.02\09\_Drawings\KZ\_Ranch\_Pond\IFC\SheetFiles\192301F-001\_10-27-25\_10-13am\_scotta\_XREFS: Wheeler2x34

NO.	DATE	MADE	CHECKED	REMARKS
1	10/25	JTC	TSS	ISSUED FOR CONSTRUCTION

REFERENCE	SHEET NO.	DRAWING NO.	TITLE

APPROVED FOR CONSTRUCTION  
  
ALL SEALS FOR THIS DRAWING SET ARE APPLIED TO THE COVER PAGE.

THIS DRAWING TOGETHER WITH ITS PARENT ELECTRONIC MEDIA FILE IS THE PROPERTY OF W. W. WHEELER & ASSOCIATES, UNLESS OTHERWISE EXCEPTED, OR SUPERSEDED BY WRITTEN AGREEMENT WITH THE CLIENT LISTED IN THE TITLE BLOCK. IT IS FURNISHED ON THE EXPRESS CONDITION THAT IT SHALL NOT BE REPRODUCED, COPIED, NOR USED FOR ANY OTHER PURPOSE THAN FOR WHICH IT IS SPECIFICALLY FURNISHED WITHOUT THE PRIOR WRITTEN CONSENT OF SAID W. W. WHEELER & ASSOCIATES.

**KZ RANCH POND**  
REHABILITATION DESIGN  
COVER SHEET  
VICINITY & PROJECT LOCATION MAPS

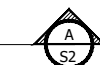


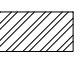
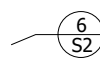



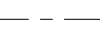

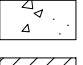


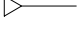

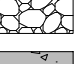



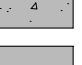


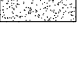



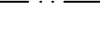
CLIENT		
FIRE ADAPTED BAILEY		
DESIGN	JTC	WHEELER NO. 1923.01.00
DRAWN	SAA	SHEET NO. 1 of 10
CHECK	TSS	DRAWING NO. G-1
PLOT DATE		10/27/2025


**ABBREVIATIONS**

A.B. = ANCHOR BOLT	FS = FAR SIDE REINFORCING BAR	PVC = POLY VINYL CHLORIDE
ACB = ARTICULATED CONCRETE BLOCKS	GA = GAUGE	R = RADIUS
ADDL = ADDITIONAL	GALV. = GALVANIZED	RCD = RIGHT CHIMNEY DRAIN
APPROX. = APPROXIMATELY	GR. = GRADE	REQD = REQUIRED
B.O.H. = BOTTOM OF HOLE	GRP = GLASSFIBER REINFORCED PLASTICS	REINF. = REINFORCEMENT
BF = BOTTOM FACE	H = HORIZONTAL	ROD = RIGHT OUTLET DRAIN
BL = BOTTOM LAYER	HDPE = HIGH DENSITY POLYETHYLENE	RTD = RIGHT TOE DRAIN
BM = BENCHMARK	H.R. = HAND RAIL	S = SLOPE
BR = BOTTOM ROW	HK. = HOOK	SCH. = SCHEDULE
BTWN = BETWEEN	HSS = HOLLOW STRUCTURAL SECTION	SDR = STANDARD DIMENSION RATIO
CFS = CUBIC FEET PER SECOND	I.D. = INSIDE DIAMETER	SECT. = SECTION
CI = CAST IRON	IF = INSIDE FACE	SEO = COLORADO DIVISION OF WATER RESOURCES, OFFICE OF THE STATE ENGINEER
CJ = CONSTRUCTION JOINT	INV. = INVERT	SIM. = SIMILAR
CLR. = CLEAR	IR = INSIDE ROW	SPC. = SPACE OR SPACES
CMP = CORRUGATED METAL PIPE	L <sub>d</sub> = DEVELOPMENT LENGTH	SPY. = SPILLWAY
CMU = CONCRETE MASONRY UNIT	LCD = LEFT CHIMNEY DRAIN	SQ. = SQUARE
CONC. = CONCRETE	LLV = LONG LEG VERTICAL	SS = STAINLESS STEEL
CP = CONTROL POINT	LOD = LEFT OUTLET DRAIN	STA. = STATION
CRJ = CONTROL JOINT	LTD = LEFT TOE DRAIN	STD = STANDARD
CTJ = CONTRACTION JOINT	MAX. = MAXIMUM	STL = STEEL
CTR. = CENTER OR CENTERS	MFR. = MANUFACTURER	SYM. = SYMMETRICAL
¢ = CENTERLINE	MIN. = MINIMUM	T.&B. = TOP AND BOTTOM
D = NORMAL DIAMETER OF	MJ = MECHANICAL JOINT	T.O. = TOP OF
DI = DUCTILE IRON	ML = MIDDLE LAYER	T.O.W. = TOP OF WALL
DIPS = DUCTILE IRON PIPE SIZE	MP = MONITORING POINT	TF = TOP FACE
DR = DIMENSION RATIO	MR = MIDDLE ROW	THK = THICK
D/S = DOWNSTREAM	N. = NORTHING OR NORTH	THRD = THREADED
DIA. = DIAMETER	NO. = NUMBER	TL = TOP LAYER
DEMO = DEMOLISH	NAVD = NORTH AMERICAN VERTICAL DATUM	TR = TOP ROW OF REINFORCING BAR
DET. = DETAIL	NGVD = NATIONAL GEODETIC VERTICAL DATUM	TYP. = TYPICAL
DIAG. = DIAGONAL	NHWL = NORMAL HIGH WATER LINE	U.N.O. = UNLESS NOTED OTHERWISE
DWG. = DRAWING	N.T.S. = NOT TO SCALE	U/S = UPSTREAM
DWL. = DWEL	NF = NEAR FACE	UV = UNIFORMLY VARYING
E. = EASTING	NR = NEAR ROW EQ.	V = VERTICAL
EA. = EACH	NS = NEAR SIDE	VCP = VITRIFIED CLAY PIPE
EC = EACH CORNER LENGTHS OF BARS	O.C. = ON CENTER	W = WIDE FLANGE STRUCTURAL BEAM
EF = EACH FACE	O.D. = OUTSIDE DIAMETER	W/ = WITH
EJ = EXPANSION JOINT	O.H.P. = OVER HEAD POWER	W/O = WITHOUT
EL = ELEVATION (IN FEET)	OF = OUTSIDE FACE	WP = WORK POINT
ELL = HDPE ELBOW	OPP = OPPOSITE	W.S. = WATER SURFACE
EMBED = EMBEDDED/EMBEDMENT	OR = OUTSIDE ROW	W.S.A. = WATER STOP TYPE A
EQ. SPC. = EQUALLY SPACED OR EQUAL SPACES	PC = POINT OF CURVATURE	WSP = WELDED STEEL PIPE
ER = EACH ROW	P.D. = PLAIN DOWELS	WTP = WATER TREATMENT PLANT
ES = EACH SIDE	P.I. = POINT OF INTERSECTION	
EW = EACH WAY	P.R.C. = POINT OF REVERSE CURVATURE	
EXIST = EXISTING	PT = POINT OF TANGENCY	
F.G. = FINAL GRADE	PE = PLAIN END	
FF = FAR FACE	ϕ = PLATE	
FIN. = FINISH	PLCS = PLACES	
FLG = FLANGE	PROJ = PROJECTION	
FR = FAR ROW		

DRAWING INDEX		
SHEET NO.	DRAWING NO.	DRAWING TITLE
1	G-1	COVER SHEET - VICINITY & PROJECT LOCATION MAPS
2	G-2	DRAWING INDEX, ABBREVIATIONS AND LEGEND
3	G-3	CAPACITY CURVES
4	G-4	PLAN OF EXISTING CONDITIONS
5	C-1	PLAN OF MODIFICATIONS
6	C-2	EXCAVATION AND DEMOLITION PLAN
7	C-3	OUTLET WORKS - PLAN AND PROFILE
8	C-4	OUTLET WORKS - PLAN, SECTIONS, AND DETAILS
9	C-5	OUTLET WORKS FILTER DIAPHRAGM - DETAILS AND SECTIONS
10	C-6	TRASH RACKS - PLAN AND SECTIONS


**LEGEND**

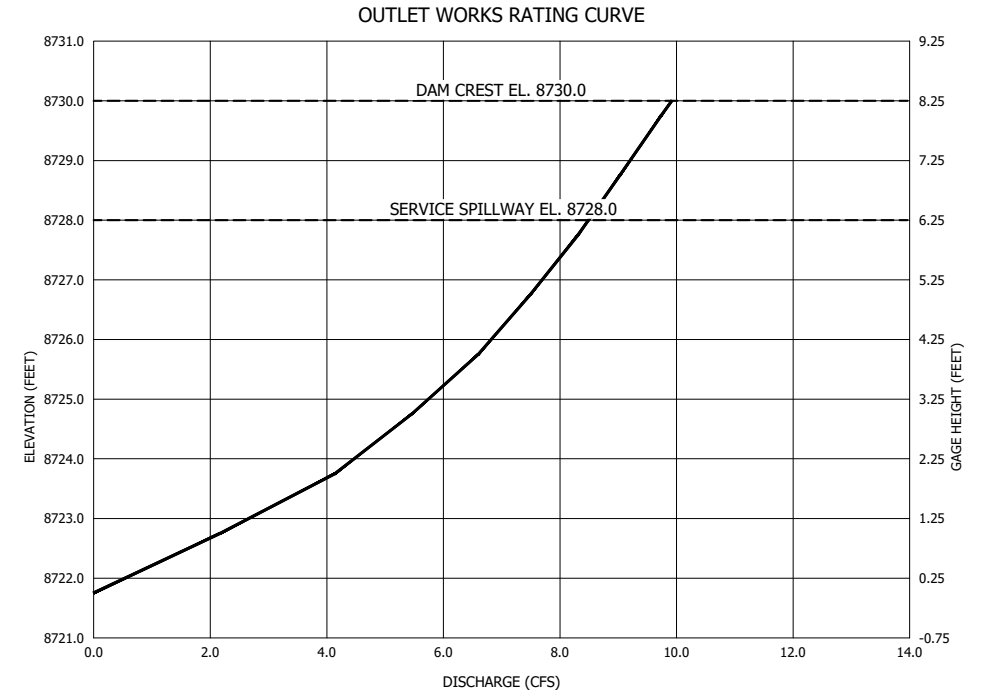
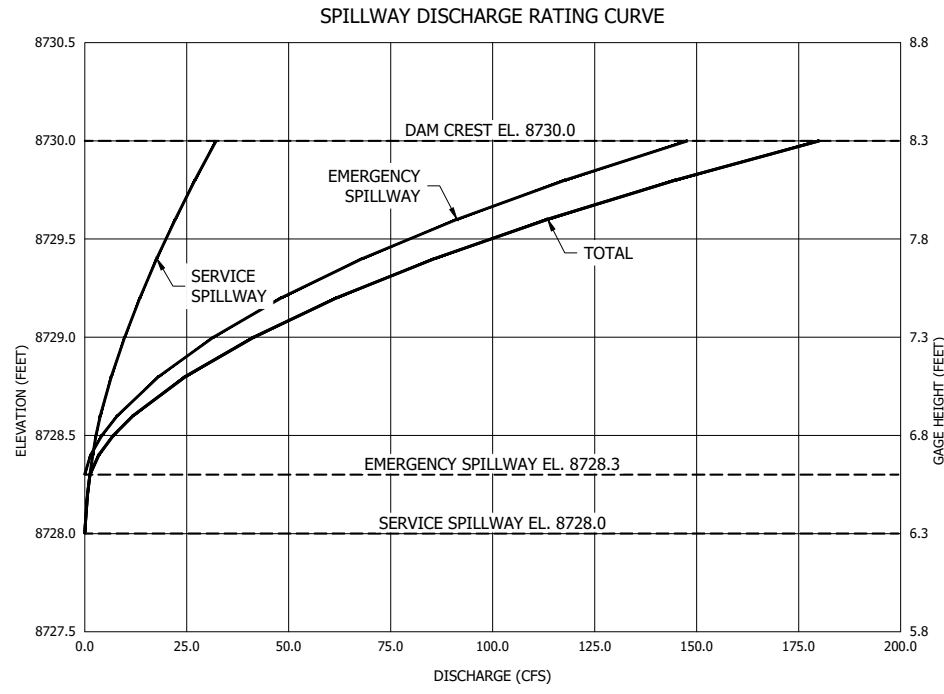
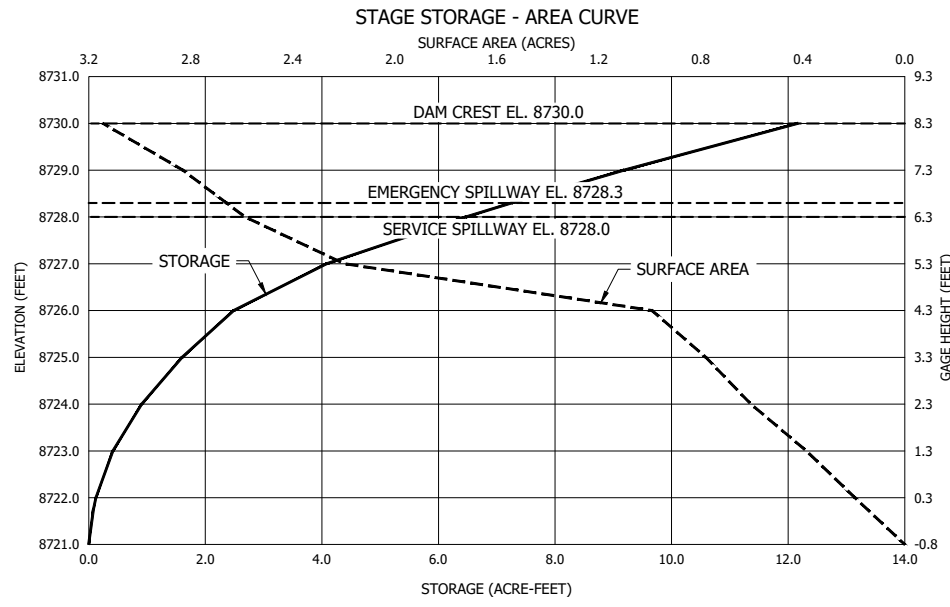
	INDICATES CROSS SECTION LOCATION. "A" REFERS TO CROSS SECTION DESIGNATION. THE NUMBER "S2" REFERS TO THE SHEET NUMBER WHERE THE SECTION IS SHOWN.		NORTH ARROW		AGGREGATE BASE COURSE		STEEL
	INDICATES DETAIL LOCATION. THE NUMBER 6 REFERS TO THE DETAIL DESIGNATION. THE NUMBER S2 REFERS TO THE SHEET NUMBER WHERE THE DETAIL IS SHOWN.		CONTROL POINT		GENERAL FILL		EMBANKMENT FILL
	CENTERLINE		BEDROCK		NEW CONCRETE		DRAIN GRAVEL
	MAJOR 5 FT CONTOUR INTERVAL WITH ELEVATION IN FEET		CUT SLOPE		EXISTING CONCRETE		RIPRAP
	MINOR 1 FT CONTOUR INTERVAL		FILL SLOPE		NATURAL GROUND		BACKFILL CONCRETE
	PROPERTY BOUNDARY		STRUCTURAL SLOPE		FILTER SAND		GROUT
	APPROX. WATER LIMITS						
	WETLANDS LIMITS						
	UTILITY EASEMENT						
	LIMITS OF CONSTRUCTION						



FOR BURIED UTILITY INFORMATION  
**CALL 811**  
**TWO BUSINESS DAYS**  
**BEFORE YOU DIG**  
 UTILITY NOTIFICATION CENTER  
 OF COLORADO (UNCC) OR  
 COMMON GROUND ALLIANCE (CGA)

R:\19001923\_Fire\_Adapted\_Bailey\1923.02\09\_Drawings\KZ\_Ranch\_Pond\FIC\SheetFiles\192301F-001\_10-27-25\_10-13am\_scotta\_XREFS: Wheeler22x34

NO.	DATE	MADE	CHECKED	REMARKS	SHEET NO.	DRAWING NO.	TITLE	APPROVED FOR CONSTRUCTION	THIS DRAWING TOGETHER WITH ITS PARENT ELECTRONIC MEDIA FILE IS THE PROPERTY OF W. W. WHEELER & ASSOCIATES, UNLESS OTHERWISE EXCEPTED, OR SUPERSEDED BY WRITTEN AGREEMENT WITH THE CLIENT LISTED IN THE TITLE BLOCK. IT IS FURNISHED ON THE EXPRESS CONDITION THAT IT SHALL NOT BE REPRODUCED, COPIED, NOR USED FOR ANY OTHER PURPOSE THAN FOR WHICH IT IS SPECIFICALLY FURNISHED WITHOUT THE PRIOR WRITTEN CONSENT OF SAID W. W. WHEELER & ASSOCIATES.	 <b>W. W. WHEELER &amp; ASSOCIATES, INC</b> <i>Water Resources &amp; Geotechnical Engineers</i> 3700 S. INDA STREET   ENGLEWOOD, CO 80110-3405 303-761-4130	KZ RANCH POND REHABILITATION DESIGN DRAWING INDEX, ABBREVIATIONS AND LEGEND	CLIENT FIRE ADAPTED BAILEY DESIGN: JTC DRAWN: SAA CHECK: TSS PLOT DATE: 10/27/2025 WHEELER NO.: 1923.01.00 SHEET NO.: 2 of 10 DRAWING NO.: G-2
1	10/25	JTC	TSS	ISSUED FOR CONSTRUCTION				ALL SEALS FOR THIS DRAWING SET ARE APPLIED TO THE COVER PAGE.				



STAGE STORAGE RATING TABLE				
ELEVATION	GAGE HEIGHT	CONTOUR AREA	CUMULATIVE VOLUME	NOTES
(FT)	(FT)	(AC)	(AC-FT)	
8721.0	-0.8	0.1	0.0	DEAD STORAGE
8721.75	0.0	0.2	0.1	GATE INVERT
8722.0	0.3	0.2	0.1	
8723.0	1.3	0.4	0.4	
8724.0	2.3	0.6	0.9	
8725.0	3.3	0.8	1.6	
8726.0	4.3	1.0	2.5	
8727.0	5.3	2.2	4.1	
8728.0	6.3	2.6	6.5	NHWL
8728.3	6.6	2.7	7.3	EMERGENCY SPILLWAY
8729.0	7.3	2.8	9.2	
8730.0	8.3	3.1	12.2	DAM CREST

SPILLWAY DISCHARGE RATING TABLE					
ELEVATION	GAGE HEIGHT	SERVICE SPILLWAY	EMERGENCY SPILLWAY	TOTAL DISCHARGE	NOTES
(FT)	(FT)	(CFS)	(CFS)	(CFS)	
8728.0	6.3	0.0	0.0	0.0	SERVICE SPILLWAY
8728.2	6.5	0.7	0.0	0.7	
8728.3	6.6	1.3	0.0	1.3	EMERGENCY SPILLWAY
8728.4	6.7	2.0	1.5	3.5	
8728.5	6.8	2.8	4.3	7.1	
8728.6	6.9	3.9	8.0	11.9	
8728.8	7.1	6.6	18.2	24.8	
8729.0	7.3	9.8	31.6	41.4	
8729.2	7.5	13.6	48.2	61.8	
8729.4	7.7	17.7	68.1	85.8	
8729.6	7.9	22.2	91.3	113.5	
8729.8	8.1	27.1	117.8	144.9	
8730.0	8.3	32.2	147.8	180.0	DAM CREST

OUTLET WORKS RATING TABLE			
ELEVATION	GAGE HEIGHT	DISCHARGE	NOTES
(FT)	(FT)	(CFS)	
8721.75	0.0	0.0	GATE INVERT
8722.75	1.0	2.2	
8723.75	2.0	4.1	
8724.75	3.0	5.5	
8725.75	4.0	6.6	
8726.75	5.0	7.5	
8727.75	6.0	8.3	
8728.00	6.3	8.5	NHWL
8728.75	7.0	9.0	
8729.75	8.0	9.7	
8730.00	8.3	9.9	DAM CREST

R:\19001923\_Fire\_Adapted\_Bailey\1923.02\09\_Drawings\KZ\_Ranch\_Pond\FIC\SheetFiles\192301F-001\_10-27-25\_10-13am\_scotta\_XREFS: Wheeler\22-34

NO.	DATE	MADE	CHECKED	REMARKS
1	10/25	JTC	TSS	ISSUED FOR CONSTRUCTION

REFERENCE	SHEET NO.	DRAWING NO.	TITLE

APPROVED FOR CONSTRUCTION

ALL SEALS FOR THIS DRAWING SET ARE APPLIED TO THE COVER PAGE.

THIS DRAWING TOGETHER WITH ITS PARENT ELECTRONIC MEDIA FILE IS THE PROPERTY OF W. W. WHEELER & ASSOCIATES, UNLESS OTHERWISE EXCEPTED, OR SUPERSEDED BY WRITTEN AGREEMENT WITH THE CLIENT LISTED IN THE TITLE BLOCK. IT IS FURNISHED ON THE EXPRESS CONDITION THAT IT SHALL NOT BE REPRODUCED, COPIED, NOR USED FOR ANY OTHER PURPOSE THAN FOR WHICH IT IS SPECIFICALLY FURNISHED WITHOUT THE PRIOR WRITTEN CONSENT OF SAID W. W. WHEELER & ASSOCIATES.



**KZ RANCH POND**  
REHABILITATION DESIGN  
CAPACITY CURVES

CLIENT		
FIRE ADAPTED BAILEY		
DESIGN	JTC	WHEELER NO. 1923.01.00
DRAWN	SAA	SHEET NO. 3 of 10
CHECK	TSS	DRAWING NO. G-3
PLOT DATE	10/27/2025	

R:\19001923\_Fire\_Adapted\_Bailey\1923.02\09\_Drawings\KZ\_Ranch\_Pond\IFC\SheetFiles\192301F-002\_10-27-25\_10:13am\_scotta\_XREFS: Wheeler2x34



- NOTES:**
1. SITE TOPOGRAPHY AND BATHYMETRIC DATA WAS COLLECTED BY SURVEYING AND MAPPING (SAM) LLC. ON JUNE 10, 2021.
  2. BACKGROUND TOPOGRAPHY WAS OBTAINED FROM COLORADO WATER CONSERVATION BOARD AS 1-METER RESOLUTION LIDAR DATA COLLECTED IN 2019.
  3. PROJECT HORIZONTAL CONTROL IS BASED ON COLORADO STATE PLAN, CENTRAL ZONE, NORTH AMERICAN DATUM OF 1983, NATIONAL ADJUSTMENT OF 2011 (NAD83(2011)).
  4. PROJECT VERTICAL CONTROL IS BASED ON THE NORTH AMERICAN VERTICAL OF 1988 (NAVD88). PROJECT BENCHMARK "CP-KZR1", A REBAR STAKE, AT ELEVATION 8734.0.

**PLAN OF EXISTING CONDITIONS**  
CONTOUR INTERVAL: 1FT

NO.	DATE	MADE	CHECKED	REMARKS
1	10/25	JTC	TSS	ISSUED FOR CONSTRUCTION

REFERENCE	SHEET NO.	DRAWING NO.	TITLE

**APPROVED FOR CONSTRUCTION**

ALL SEALS FOR THIS DRAWING SET ARE APPLIED TO THE COVER PAGE.

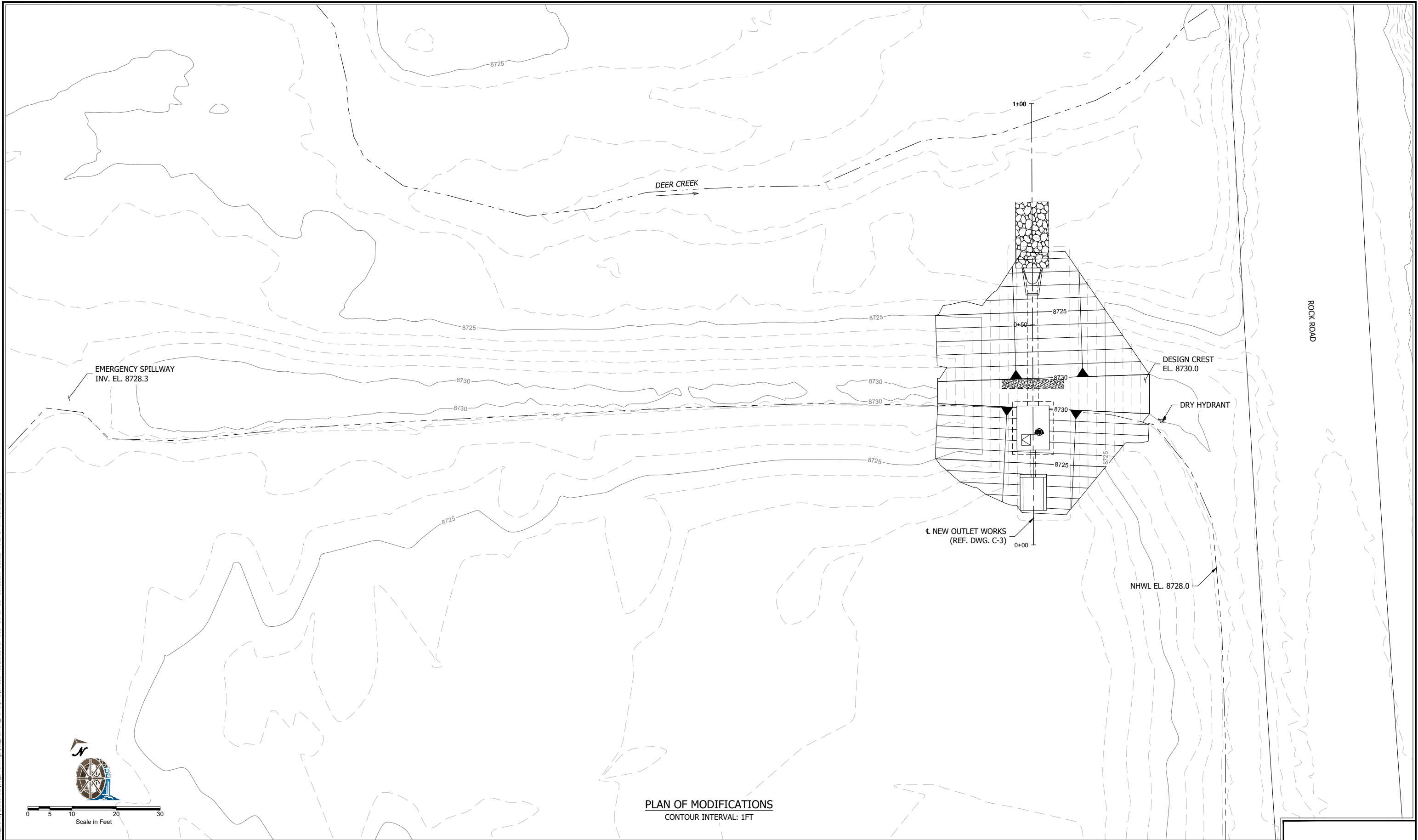
THIS DRAWING TOGETHER WITH ITS PARENT ELECTRONIC MEDIA FILE IS THE PROPERTY OF W. W. WHEELER & ASSOCIATES, UNLESS OTHERWISE EXCEPTED, OR SUPERSEDED BY WRITTEN AGREEMENT WITH THE CLIENT LISTED IN THE TITLE BLOCK. IT IS FURNISHED ON THE EXPRESS CONDITION THAT IT SHALL NOT BE REPRODUCED, COPIED, NOR USED FOR ANY OTHER PURPOSE THAN FOR WHICH IT IS SPECIFICALLY FURNISHED WITHOUT THE PRIOR WRITTEN CONSENT OF SAID W. W. WHEELER & ASSOCIATES.

3700 S. INDA STREET | ENGLEWOOD, CO 80110-3405  
303-761-4130

**KZ RANCH POND**  
REHABILITATION DESIGN  
PLAN OF EXISTING  
CONDITIONS

CLIENT		
FIRE ADAPTED BAILEY		
DESIGN	JTC	WHEELER NO. 1923.01.00
DRAWN	SAA	SHEET NO. 4 of 10
CHECK	TSS	DRAWING NO. G-4
DATE	10/27/2025	

R:\19001923\_Fire\_Adapted\_Bailey\1923.02\09\_Drawings\KZ\_Ranch\_Pond\IFC\SheetFiles\192301F-003\_10-27-25\_10:13am\_scotta\_XREFS: Wheeler2x34



**PLAN OF MODIFICATIONS**  
CONTOUR INTERVAL: 1FT

NO.	DATE	MADE	CHECKED	REMARKS
1	10/25	JTC	TSS	ISSUED FOR CONSTRUCTION

REFERENCE	SHEET NO.	DRAWING NO.	TITLE

**APPROVED FOR CONSTRUCTION**  
  
ALL SEALS FOR THIS DRAWING SET ARE APPLIED TO THE COVER PAGE.

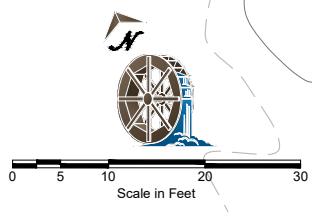
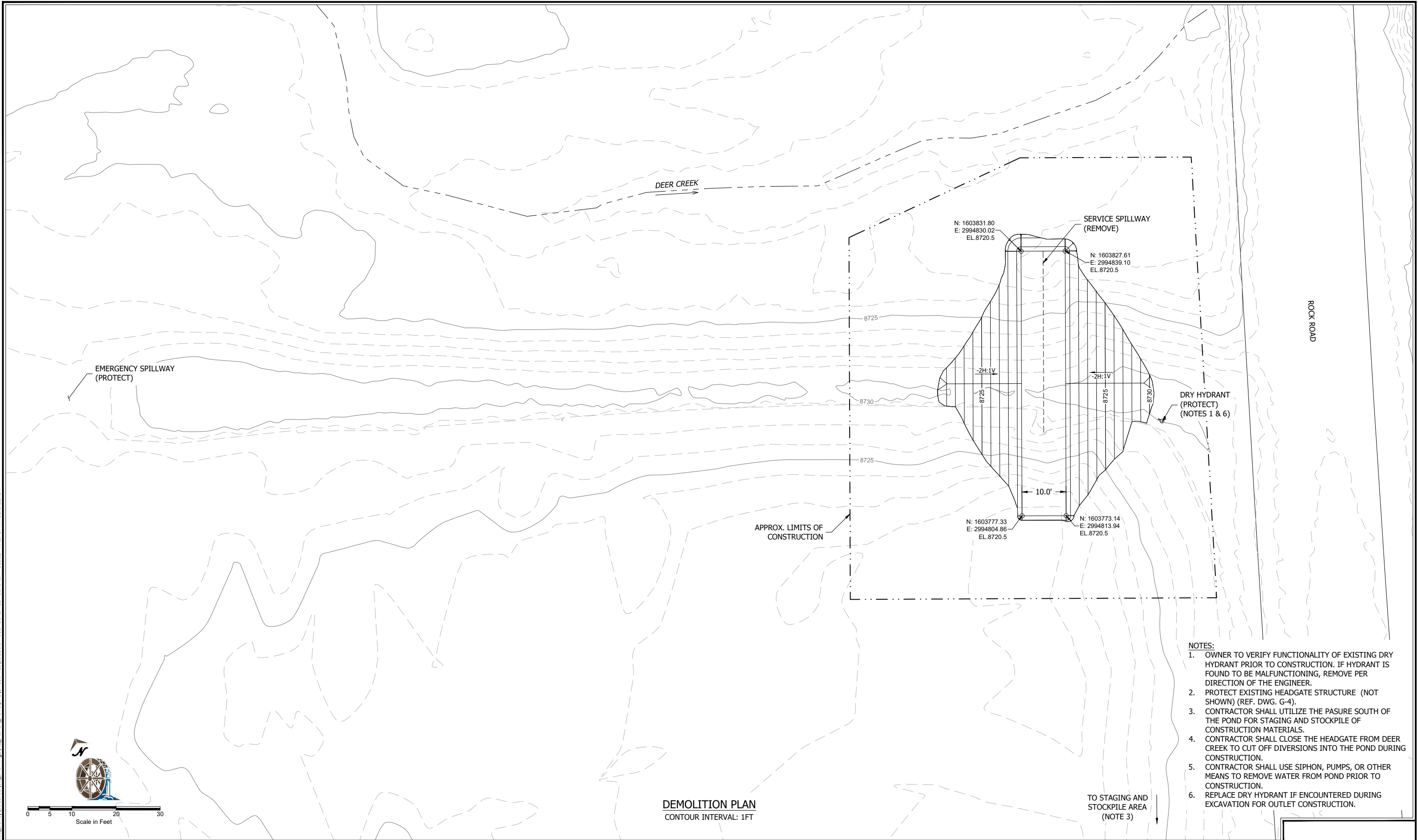
THIS DRAWING TOGETHER WITH ITS PARENT ELECTRONIC MEDIA FILE IS THE PROPERTY OF W. W. WHEELER & ASSOCIATES, UNLESS OTHERWISE EXCEPTED, OR SUPERSEDED BY WRITTEN AGREEMENT WITH THE CLIENT LISTED IN THE TITLE BLOCK. IT IS FURNISHED ON THE EXPRESS CONDITION THAT IT SHALL NOT BE REPRODUCED, COPIED, NOR USED FOR ANY OTHER PURPOSE THAN FOR WHICH IT IS SPECIFICALLY FURNISHED WITHOUT THE PRIOR WRITTEN CONSENT OF SAID W. W. WHEELER & ASSOCIATES.

**W. W. WHEELER & ASSOCIATES, INC.**  
Water Resources & Geotechnical Engineers  
3700 S. INDA STREET | ENGLEWOOD, CO 80110-3405  
303-761-4130

**KZ RANCH POND**  
REHABILITATION DESIGN  
PLAN OF MODIFICATIONS

CLIENT		
FIRE ADAPTED BAILEY		
DESIGN	JTC	WHEELER NO. 1923.01.00
DRAWN	SAA	SHEET NO. 5 of 10
CHECK	TSS	DRAWING NO. C-1
PLOT DATE		10/27/2025

R:\19001923\_Fire\_Adapted\_Bailey\1923.02\09\_Drawings\KZ\_Ranch\_Pond\IFC\SheetFiles\192301F-002\_10-27-25\_10:14am\_scotta\_XREFS: WheelerZ2x34



- NOTES:**
- OWNER TO VERIFY FUNCTIONALITY OF EXISTING DRY HYDRANT PRIOR TO CONSTRUCTION. IF HYDRANT IS FOUND TO BE MALFUNCTIONING, REMOVE PER DIRECTION OF THE ENGINEER.
  - PROTECT EXISTING HEADGATE STRUCTURE (NOT SHOWN) (REF. DWG. G-4).
  - CONTRACTOR SHALL UTILIZE THE PASURE SOUTH OF THE POND FOR STAGING AND STOCKPILE OF CONSTRUCTION MATERIALS.
  - CONTRACTOR SHALL CLOSE THE HEADGATE FROM DEER CREEK TO CUT OFF DIVERSIONS INTO THE POND DURING CONSTRUCTION.
  - CONTRACTOR SHALL USE SIPHON, PUMPS, OR OTHER MEANS TO REMOVE WATER FROM POND PRIOR TO CONSTRUCTION.
  - REPLACE DRY HYDRANT IF ENCOUNTERED DURING EXCAVATION FOR OUTLET CONSTRUCTION.

NO.	DATE	MADE	CHECKED	REMARKS
1	10/25	JTC	TSS	ISSUED FOR CONSTRUCTION

REFERENCE	SHEET NO.	DRAWING NO.	TITLE

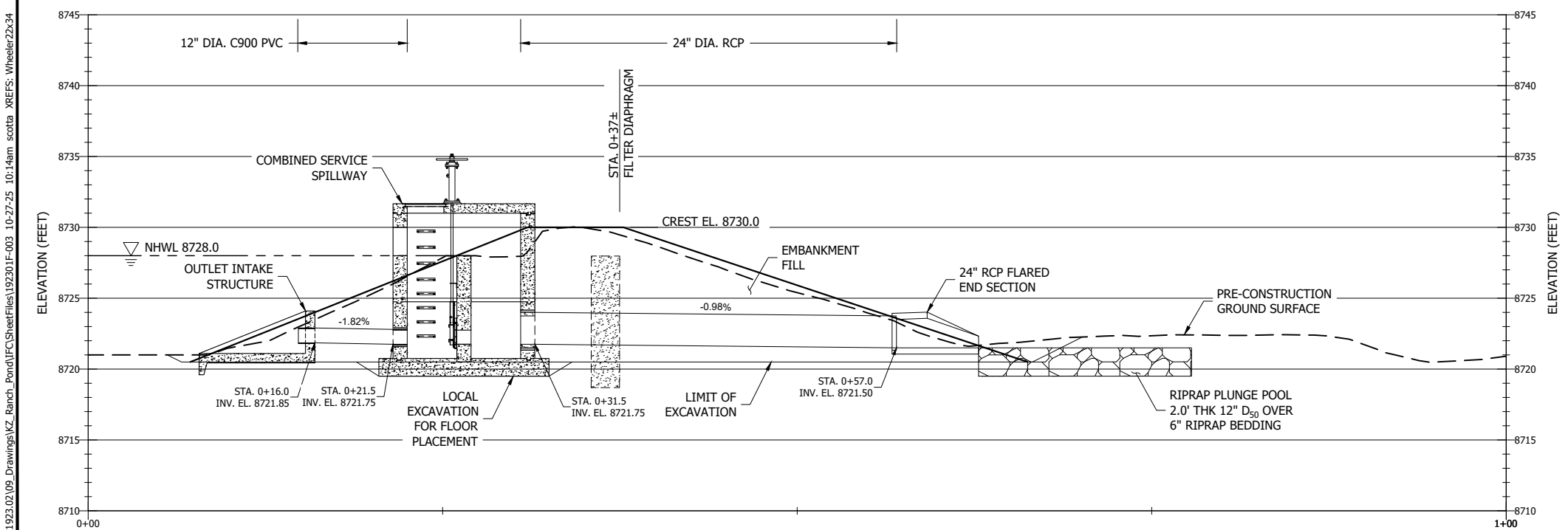
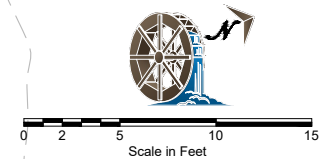
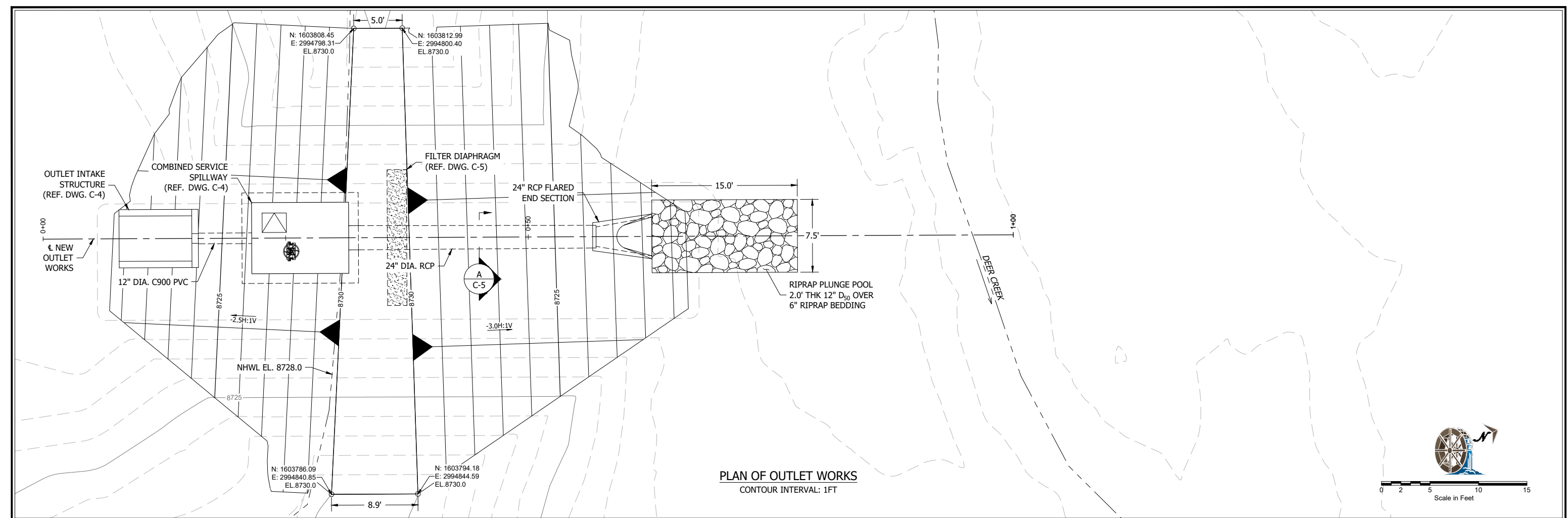
**APPROVED FOR CONSTRUCTION**

ALL SEALS FOR THIS DRAWING SET ARE APPLIED TO THE COVER PAGE.

THIS DRAWING TOGETHER WITH ITS PARENT ELECTRONIC MEDIA FILE IS THE PROPERTY OF W. W. WHEELER & ASSOCIATES, UNLESS OTHERWISE EXCEPTED, OR SUPERSEDED BY WRITTEN AGREEMENT WITH THE CLIENT LISTED IN THE TITLE BLOCK. IT IS FURNISHED ON THE EXPRESS CONDITION THAT IT SHALL NOT BE REPRODUCED, COPIED, NOR USED FOR ANY OTHER PURPOSE THAN FOR WHICH IT IS SPECIFICALLY FURNISHED WITHOUT THE PRIOR WRITTEN CONSENT OF SAID W. W. WHEELER & ASSOCIATES.

**KZ RANCH POND**  
REHABILITATION DESIGN  
EXCAVATION AND DEMOLITION PLAN

CLIENT		
FIRE ADAPTED BAILEY		
DESIGN	JTC	WHEELER NO. 1923.01.00
DRAWN	SAA	SHEET NO. 6 of 10
CHECK	TSS	DRAWING NO. C-2
DATE	10/27/2025	



- NOTES:**
- ENGINEER TO INSPECT SUBGRADE PRIOR TO PLACEMENT OF EMBANKMENT FILL.
  - CONCRETE CRADLE NOT SHOWN FOR CLARITY.

NO.	DATE	MADE	CHECKED	REMARKS
1	10/25	JTC	TSS	ISSUED FOR CONSTRUCTION

NO.	DATE	MADE	CHECKED	REMARKS

REFERENCE	SHEET NO.	DRAWING NO.	TITLE

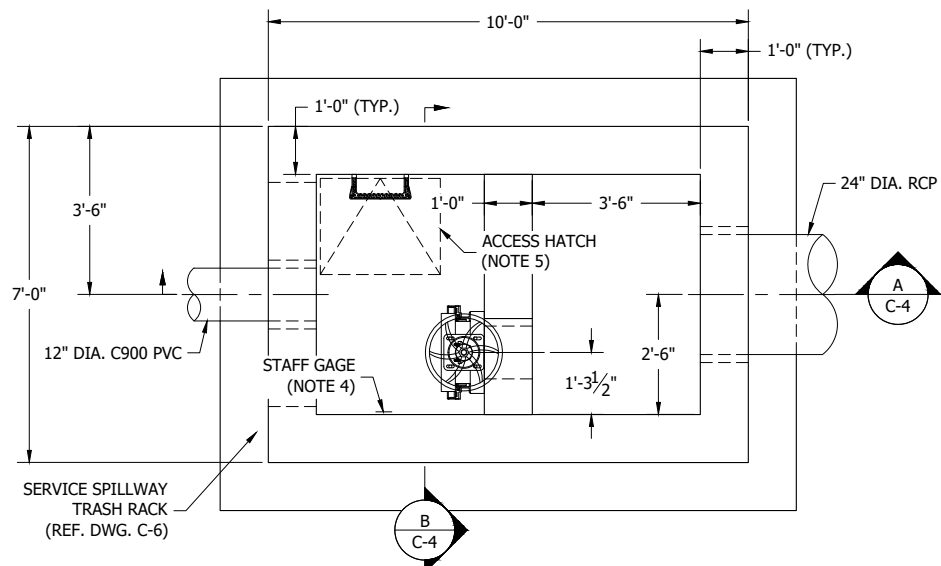
  

APPROVED FOR CONSTRUCTION	THIS DRAWING TOGETHER WITH ITS PARENT ELECTRONIC MEDIA FILE IS THE PROPERTY OF W. W. WHEELER & ASSOCIATES, UNLESS OTHERWISE EXCEPTED, OR SUPERSEDED BY WRITTEN AGREEMENT WITH THE CLIENT LISTED IN THE TITLE BLOCK. IT IS FURNISHED ON THE EXPRESS CONDITION THAT IT SHALL NOT BE REPRODUCED, COPIED, NOR USED FOR ANY OTHER PURPOSE THAN FOR WHICH IT IS SPECIFICALLY FURNISHED WITHOUT THE PRIOR WRITTEN CONSENT OF SAID W. W. WHEELER & ASSOCIATES.	 <b>W. W. WHEELER &amp; ASSOCIATES, INC</b> <i>Water Resources &amp; Geotechnical Engineers</i>	<b>KZ RANCH POND</b> REHABILITATION DESIGN <b>OUTLET WORKS</b> PLAN AND PROFILE	CLIENT: FIRE ADAPTED BAILEY
ALL SEALS FOR THIS DRAWING SET ARE APPLIED TO THE COVER PAGE.				DESIGN: JTC DRAWN: SAA CHECK: TSS

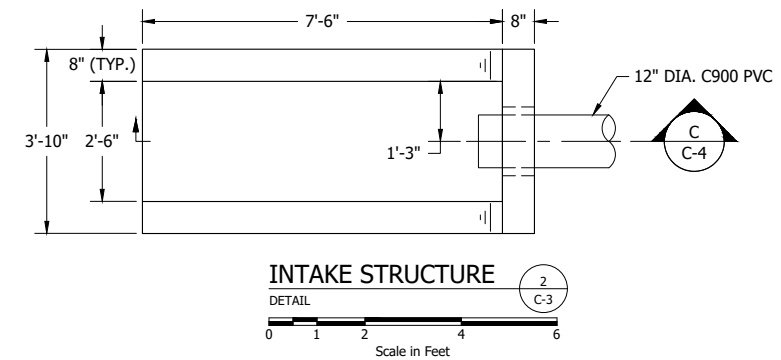
  

3700 S. INDA STREET   ENGLEWOOD, CO 80110-3405 303-761-4130	PLOT DATE: 10/27/2025
--	-----------------------

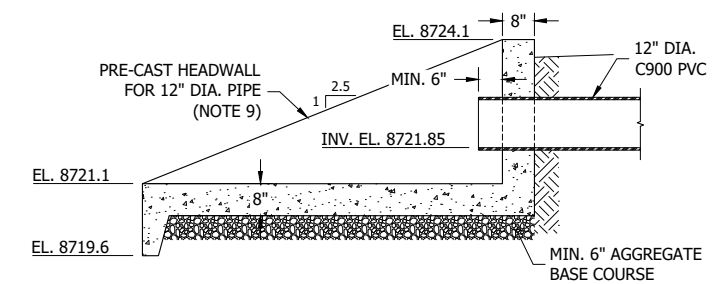
R:\19001923\_Fire\_Adapted\_Bailey\1923.02\09\_Drawings\KZ\_Ranch\_Pond\FIC\SheetFiles\192301F-003\_10-27-25\_10:14am\_scotta\_XREFS: Wheeler22x34



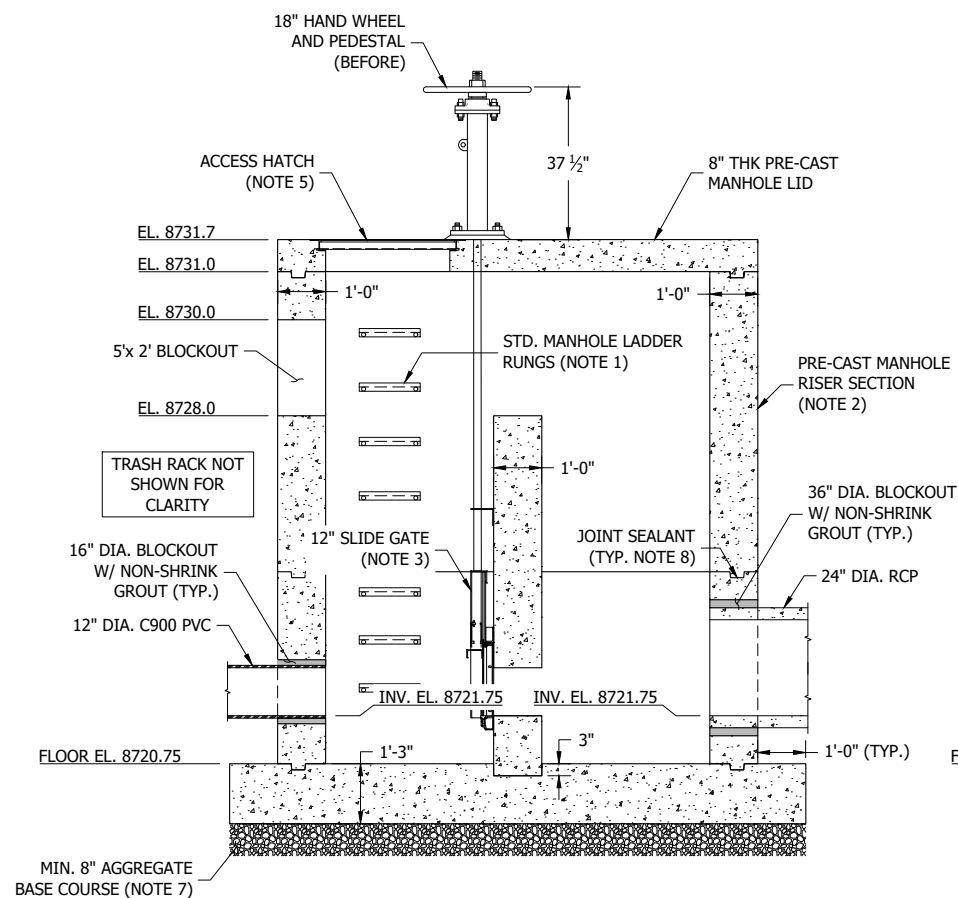
**COMBINED SERVICE SPILLWAY**  
DETAIL 1  
Scale in Feet



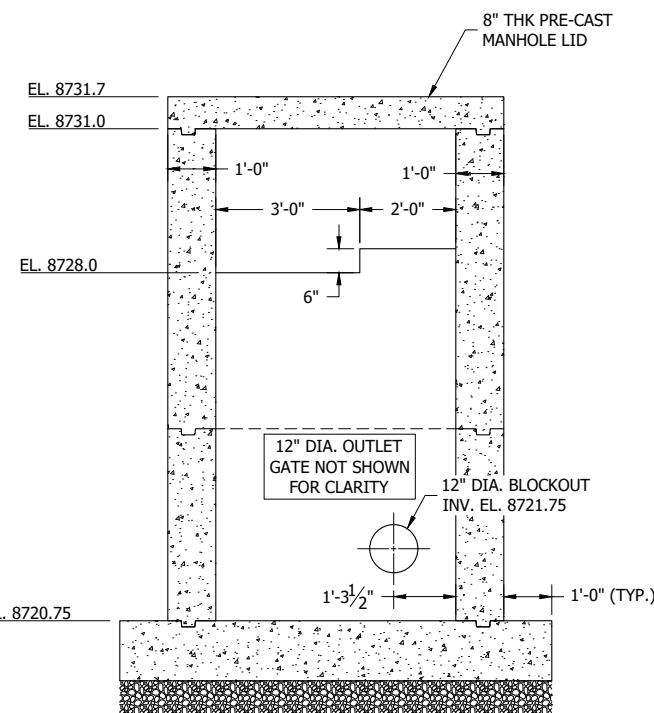
**INTAKE STRUCTURE**  
DETAIL 2  
Scale in Feet



**INTAKE STRUCTURE**  
DETAIL C  
Scale in Feet



**COMBINED SERVICE SPILLWAY**  
SECTION A  
Scale in Feet



**COMBINED SERVICE SPILLWAY**  
SECTION B  
Scale in Feet

- NOTES:**
- LADDER RUNGS SIZE AND SPACING PER MANUFACTURER'S SPECIFICATIONS.
  - HEIGHT OF RISERS PER MANUFACTURER'S RECOMMENDATIONS.
  - SLIDE GATE SHALL MOUNTED TO BAFFLE WALL PER MANUFACTURER'S INSTRUCTIONS.
  - STAFF GAGE SHALL BE STEVENS STYLE C. MOUNT TO INTERIOR MANHOLE WALL PER MANUFACTURER'S INSTRUCTIONS. GAGE HEIGHT 0 = EL. 8840.0
  - ACCESS HATCH SHALL BE INSTALLED PER THE MANUFACTURER'S INSTRUCTIONS.
  - INSTALL BAFFLE WALL BEFORE PLACING BACKFILL AROUND VAULT. PLACE BACKFILL SYMMETRICALLY ON ALL SIDES OF VAULT. DO NOT REMOVE BAFFLE WALL.
  - NATIVE UNDISTURBED OR RE-COMPACTED SOIL BELOW AGGREGATE WITH MINIMUM SBP OF 2,500 PSF. VERIFY BY GEOTECH ONSITE.
  - DRY PACK GROUT PLACED OVER HYDROPHOLIC SEALANT INJECTED INTO ALL INTERIOR JOINTS.
  - INTAKE STRUCTURE TRASH RACK NOT SHOWN FOR CLARITY, (REF. DWG. C-6)

R:\19011923\_Fire\_Adapted\_Bailey\1923.02\09\_Drawings\KZ\_Ranch\_Pond\IFC\SheetFiles\192301F-004\_10-27-25\_10:14am\_scotta\_XREFS: Wheeler22x34

NO.	DATE	MADE	CHECKED	REMARKS
1	10/25	JTC	TSS	ISSUED FOR CONSTRUCTION

SHEET NO.	DRAWING NO.	TITLE

**APPROVED FOR CONSTRUCTION**

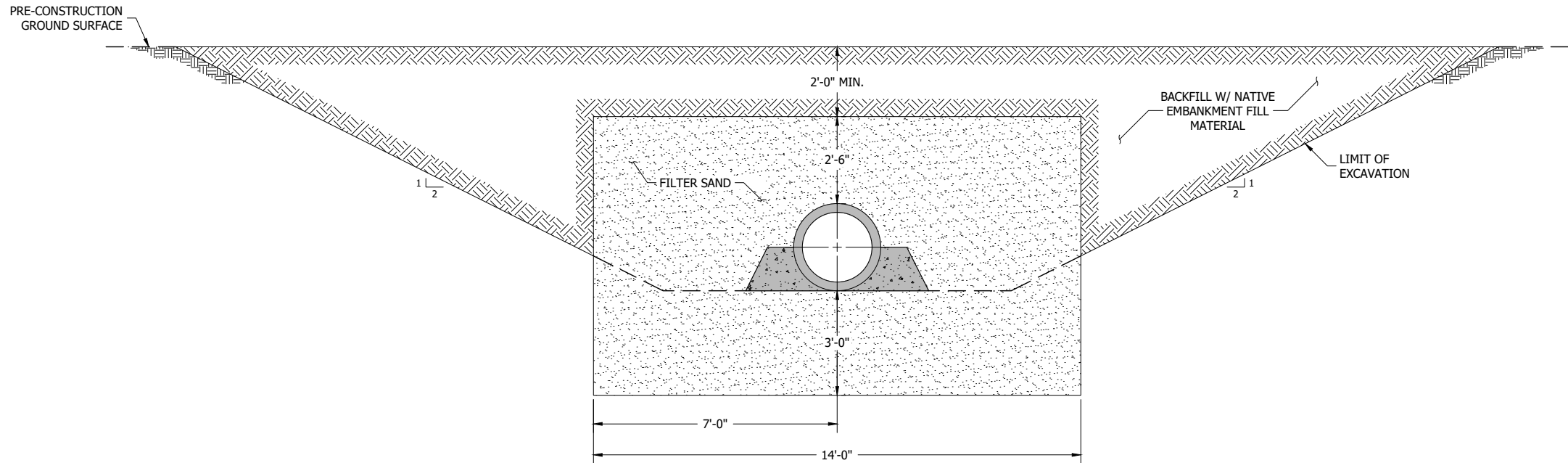
ALL SEALS FOR THIS DRAWING SET ARE APPLIED TO THE COVER PAGE.

THIS DRAWING TOGETHER WITH ITS PARENT ELECTRONIC MEDIA FILE IS THE PROPERTY OF W. W. WHEELER & ASSOCIATES, UNLESS OTHERWISE EXCEPTED, OR SUPERSEDED BY WRITTEN AGREEMENT WITH THE CLIENT LISTED IN THE TITLE BLOCK. IT IS FURNISHED ON THE EXPRESS CONDITION THAT IT SHALL NOT BE REPRODUCED, COPIED, NOR USED FOR ANY OTHER PURPOSE THAN FOR WHICH IT IS SPECIFICALLY FURNISHED WITHOUT THE PRIOR WRITTEN CONSENT OF SAID W. W. WHEELER & ASSOCIATES.

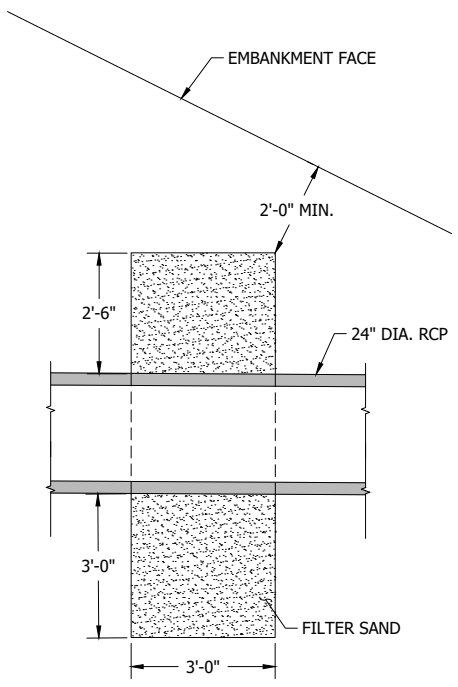


**KZ RANCH POND**  
REHABILITATION DESIGN  
OUTLET WORKS  
PLAN, SECTIONS, AND DETAILS

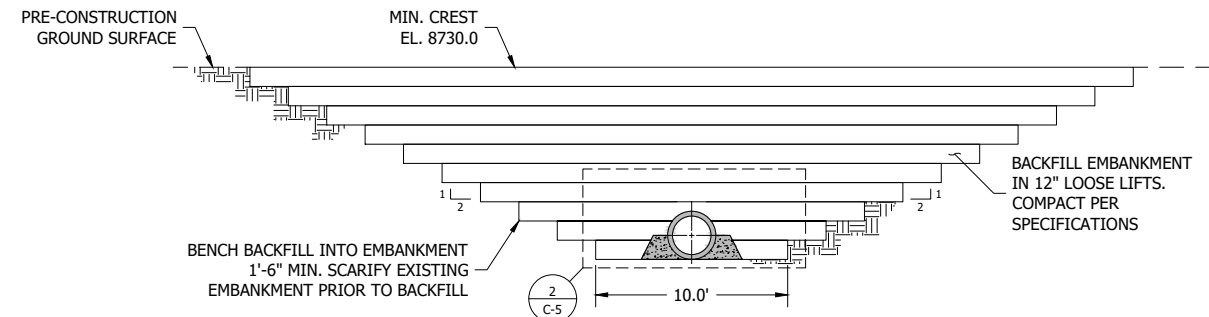
CLIENT		
FIRE ADAPTED BAILEY		
DESIGN	JTC	WHEELER NO. 1923.01.00
DRAWN	SA	SHEET NO. 8 of 10
CHECK	TSS	DRAWING NO. C-4
DATE	10/27/2025	



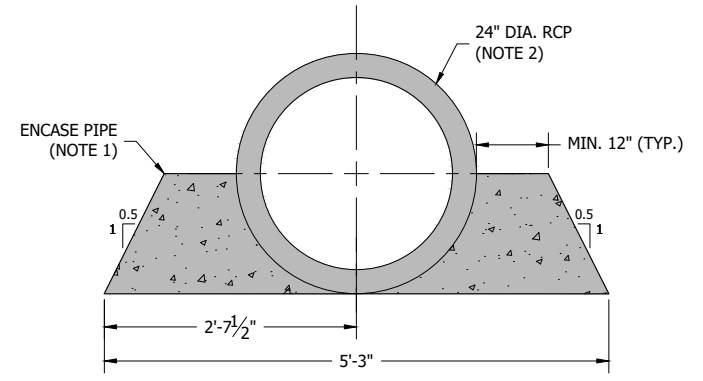
**FILTER DIAPHRAGM**  
 DETAIL  
 Scale in Feet



**FILTER DIAPHRAGM**  
 DETAIL  
 Scale in Feet



**PIPE TRENCH**  
 SECTION (N.T.S.)



**SPILLWAY PIPE CRADLE**  
 DETAIL  
 Scale in Feet

- NOTES:**
1. PLACE BACKFILL CONCRETE BENEATH THE HAUNCHES OF THE PIPE, UP TO THE SPRINGLINE.
  2. ANCHOR PIPE TO PREVENT DISTURBANCE, MOVEMENT, OR FLOTATION DURING CONCRETE PLACEMENT.

R:\19001923\_Fire\_Adapted\_Bailey\1923.02\09\_Drawings\KZ\_Ranch\_Pond\IFC\SheetFiles\192301F-004\_10-27-25\_10:14am\_scotta\_XREFS: Wheeler22x34

NO.	DATE	MADE	CHECKED	REMARKS
1	10/25	JTC	TSS	ISSUED FOR CONSTRUCTION

REFERENCE	SHEET NO.	DRAWING NO.	TITLE

**APPROVED FOR CONSTRUCTION**

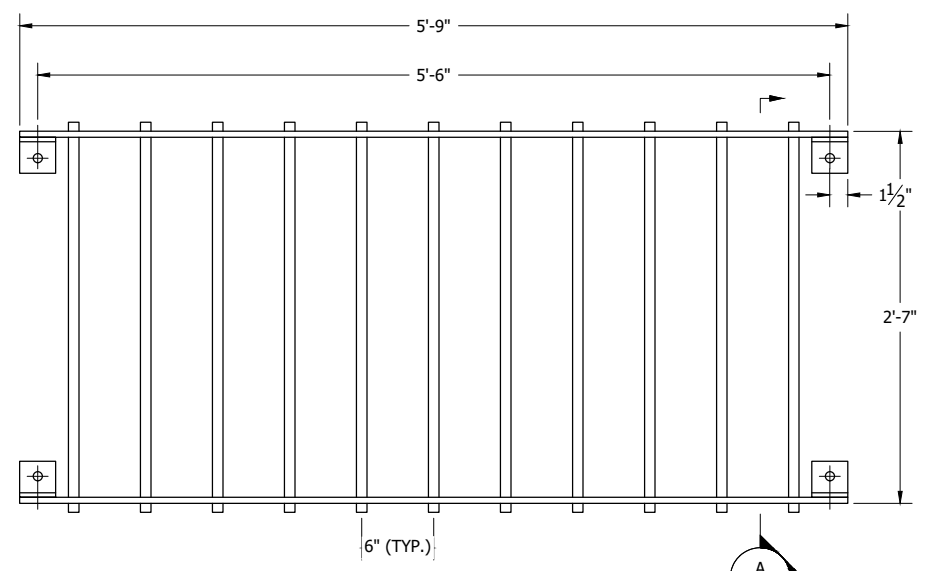
ALL SEALS FOR THIS DRAWING SET ARE APPLIED TO THE COVER PAGE.

THIS DRAWING TOGETHER WITH ITS PARENT ELECTRONIC MEDIA FILE IS THE PROPERTY OF W. W. WHEELER & ASSOCIATES, UNLESS OTHERWISE EXCEPTED, OR SUPERSEDED BY WRITTEN AGREEMENT WITH THE CLIENT LISTED IN THE TITLE BLOCK. IT IS FURNISHED ON THE EXPRESS CONDITION THAT IT SHALL NOT BE REPRODUCED, COPIED, NOR USED FOR ANY OTHER PURPOSE THAN FOR WHICH IT IS SPECIFICALLY FURNISHED WITHOUT THE PRIOR WRITTEN CONSENT OF SAID W. W. WHEELER & ASSOCIATES.

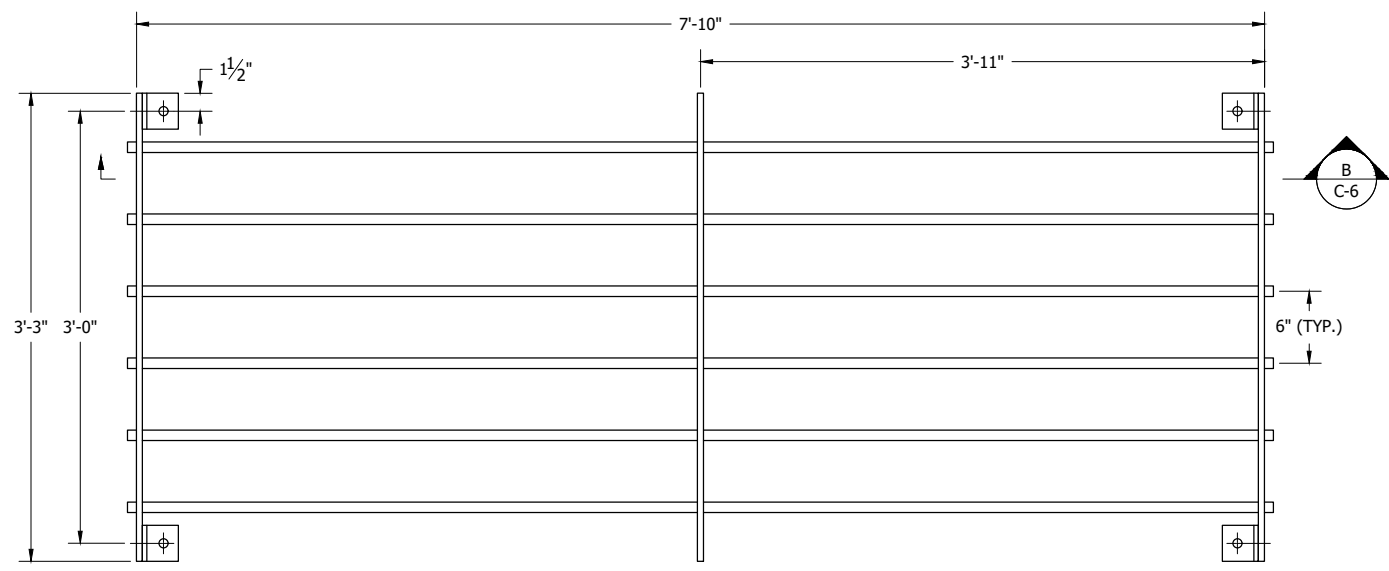
**KZ RANCH POND**  
 REHABILITATION DESIGN  
 OUTLET WORKS FILTER DIAPHRAGM  
 DETAILS AND SECTIONS

CLIENT		
FIRE ADAPTED BAILEY		
DESIGN	JTC	WHEELER NO. 1923.01.00
DRAWN	SAA	SHEET NO. 9 of 10
CHECK	TSS	DRAWING NO. C-5
PLOT DATE		10/27/2025

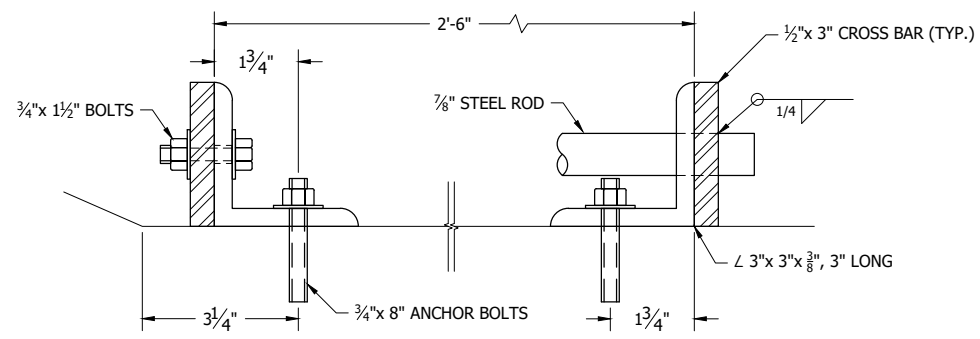
R:\1900\1923\_Fire\_Adapted\_Bailey\1923.02\09\_Drawings\KZ\_Ranch\_Pond\FIC\SheetFiles\192301F-005\_10-27-25\_10:14am\_scotta\_XREFS: Wheeler22x34



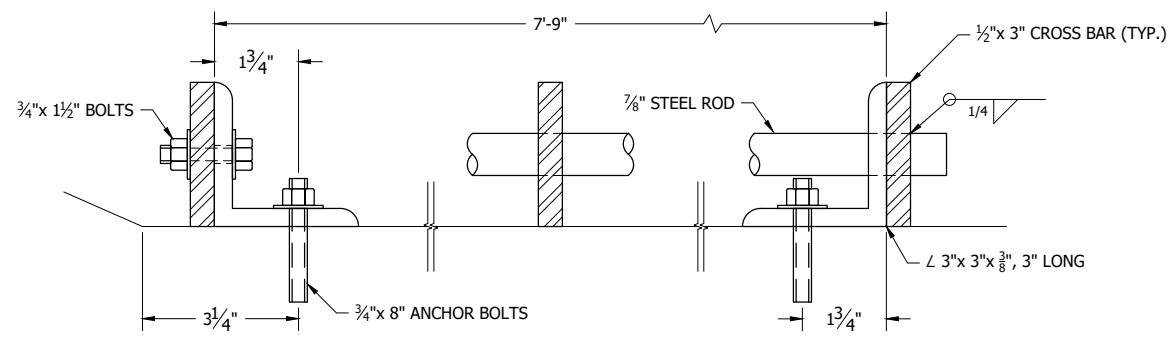
**SERVICE SPILLWAY TRASH RACK** (1) C-4  
DETAIL  
Scale in Inches: 0, 4, 8, 16, 24



**INTAKE STRUCTURE TRASH RACK** (2) C-4  
DETAIL  
Scale in Inches: 0, 4, 8, 16, 24



**SERVICE SPILLWAY TRASH RACK** (A) C-6  
SECTION  
Scale in Inches: 0, 1, 2, 4, 6



**INTAKE STRUCTURE TRASH RACK** (B) C-6  
SECTION  
Scale in Inches: 0, 1, 2, 4, 6

NO.	DATE	MADE	CHECKED	REMARKS
1	10/25	JTC	TSS	ISSUED FOR CONSTRUCTION

REFERENCE	SHEET NO.	DRAWING NO.	TITLE

**APPROVED FOR CONSTRUCTION**  
ALL SEALS FOR THIS DRAWING SET ARE APPLIED TO THE COVER PAGE.

THIS DRAWING TOGETHER WITH ITS PARENT ELECTRONIC MEDIA FILE IS THE PROPERTY OF W. W. WHEELER & ASSOCIATES, UNLESS OTHERWISE EXCEPTED, OR SUPERSEDED BY WRITTEN AGREEMENT WITH THE CLIENT LISTED IN THE TITLE BLOCK. IT IS FURNISHED ON THE EXPRESS CONDITION THAT IT SHALL NOT BE REPRODUCED, COPIED, NOR USED FOR ANY OTHER PURPOSE THAN FOR WHICH IT IS SPECIFICALLY FURNISHED WITHOUT THE PRIOR WRITTEN CONSENT OF SAID W. W. WHEELER & ASSOCIATES.



**KZ RANCH POND**  
REHABILITATION DESIGN  
TRASH RACKS  
PLAN AND SECTIONS

CLIENT		
FIRE ADAPTED BAILEY		
DESIGN	JTC	WHEELER NO. 1923.01.00
DRAWN	SAA	SHEET NO. 10 of 10
CHECK	TSS	DRAWING NO. C-6
PLOT DATE		10/27/2025